



Minimum tube length



Spring loaded shaft

MDR Brushless DC Motorized pulley PM320HS

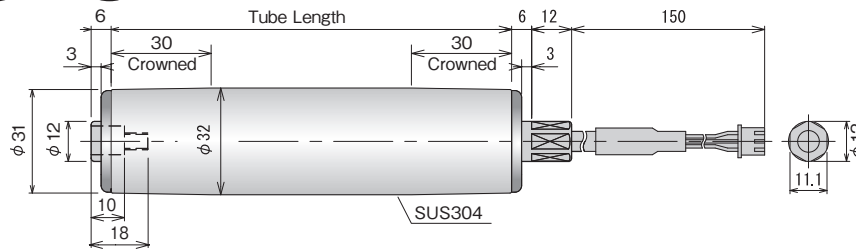
Roller diameter $\varnothing 32$ Roller diameter $\varnothing 32$

10W

PM320HS

- Roller diameter / $\varnothing 32$
- Thickness / t2.0
- Voltage / 24V DC
- Tube material / SUS304

Insulation	Class E equivalent
Operation	Continuous duty
Thermal Protection	
Protection	IP 65



Tube Length : PM320HS



Minimum tube length 170mm

Tube Length (mm)	170	220	270	320	370	420	470
Weight (kg)	0.7	0.9	1.0	1.0	1.1	1.2	1.3

- Spring loaded shaft is not available for this component.
- Dimensions other than those shown above cannot be produced.
- Conveyor frame inside dimension and frame hole shape vary by the manufacturer.

Product Designation :

PM320HS - 30 - 220 - D - 024 - PC**

Power Moller model Nominal Speed Tube Length Voltage Crowned

Motor type : HS

Nominal Speed : 30

Tube Length : 170, 220, 270, 320, 370, 420, 470

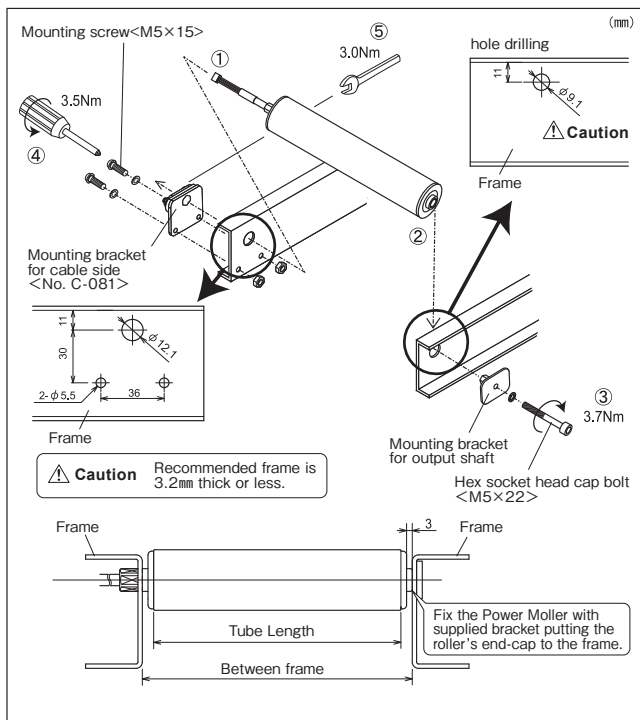
Voltage : D-024 (24VDC)

* Indicate "PL" on the model number when required a straight tube.

Operating Characteristics : CB-018

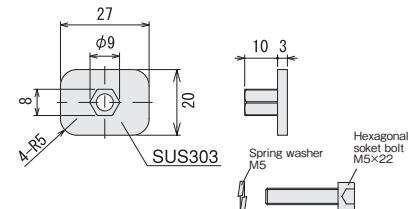
Default

Nominal Speed (m/min)	Speed (m/min)				Tangential Force (N)			Current (A)			Driver setting		
	No load	Nominal	Nominal	Starting	No load	Nominal	Starting	No load	Nominal	Starting	SW4 CN2-3	SW5 CN2-4	SW6 CN2-5
30	28.0	25.8	24.4	24.4	0.32	0.90	2.2	ON	ON	ON	ON	ON	ON
25	24.7	24.7	24.5	24.5	0.26	0.89	2.2	ON	ON	ON	ON	ON	OFF
22	22.0	22.0	24.9	24.9	0.21	0.83	2.2	ON	OFF	ON	ON	ON	OFF
19	18.8	18.8	25.3	25.3	0.20	0.74	2.2	ON	OFF	ON	ON	ON	OFF
16	15.9	15.9	25.8	25.8	0.16	0.67	2.2	OFF	ON	ON	ON	ON	OFF
13	13.0	13.0	26.2	26.2	0.13	0.61	2.2	OFF	ON	ON	ON	ON	OFF
10	9.9	9.9	26.6	26.6	0.10	0.53	2.2	OFF	OFF	ON	ON	ON	OFF
6	5.8	5.8	27.2	27.2	0.06	0.44	2.2	OFF	OFF	ON	ON	ON	OFF



Mounting Bracket :

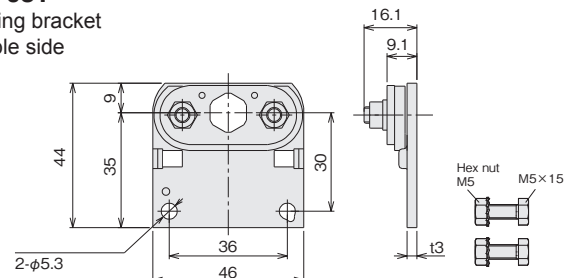
Mounting bracket for output shaft



- Apply 3.7N·m torque for securing the power Moller mounting.

No.C-081

Mounting bracket for cable side



- Apply 3Nm torque for securing the Power Moller mounting shaft, and 3.5Nm for securing the bracket.
- In the case of water-proof environment, order No. C-081-D.

[When Using in a Water-proof Environment]

Specify the following at the time of ordering.

- ① power cable extension → 1000mm [Model: C100]
- ② Change of the included bracket → No.C-081-D (SUS material) included

ex. **PM320HS - 30 - 220 - D - 024 - C100 - PC**
No.C - 081 - D