



Minimum tube length



Spring loaded shaft

MDR Brushless DC Motor Integral motor driver type PM605XE/PM605XP Roller diameter $\varnothing 60.5$

Roller diameter $\varnothing 60.5$ **PM605XE** (Standard type) **PM605XP** (High power type)

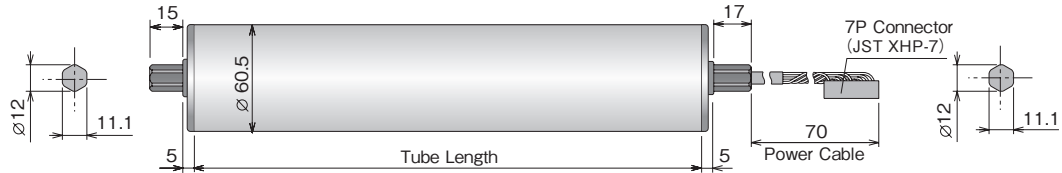
- Roller diameter / $\varnothing 60.5$
- Thickness / t3.2
- Voltage / 24V DC
- Tube material / STKM12
- Surface treatment / Trivalent chromate processing

Product Designation :

PM605XE - 17 - 400 - D - 024 - C007 - NN - VG

Power Moller model : XE/XP
 Nominal Speed : 17,30,60,100
 Tube Length : Specify in mm.
 Voltage : D-024 (24VDC)

Input / Output Signal : NN-NPN input-output / NP-NPN input, PNP output
 *Drip proof and 5P metal connector specification does not require designation. Leave this position blank.
 Cable Options : Type and length of the power cable
 : Each of the following optional specification may be selected.



Tube Length : PM605XE/PM605XP

	350mm		≥ 350 mm				
Tube Length (mm)	400	500	600	700	800	900	1000
Weight (kg)	4.5	5.0	5.5	6.0	6.5	7.0	7.5
Spring loaded shaft	<input type="checkbox"/>	<input type="checkbox"/>	<input type="checkbox"/>	<input type="checkbox"/>	<input type="checkbox"/>	<input type="checkbox"/>	<input type="checkbox"/>

- Conveyor frame inside dimension and frame hole shape vary by the manufacturer.
- A gap of 2~5mm is required between the frame inside dimension and Power Moller.

Options : PM605XE/PM605XP

Rubber Laggings - NR, UR, NB, CR
 Natural rubber, Urethane, NBR, Neoprene

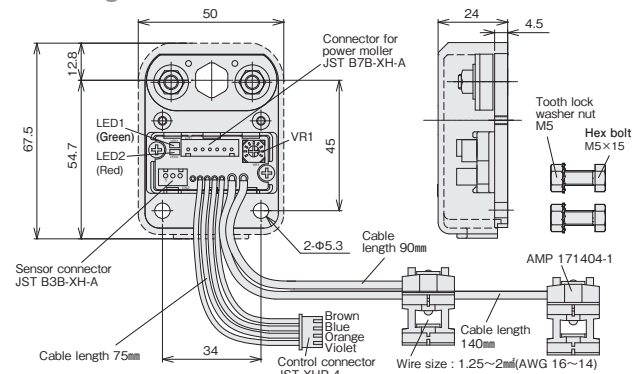
DR Drip Proof
 350mm ≥ 350 mm

VG Poly V-Belt Pulley
 350mm ≥ 350 mm

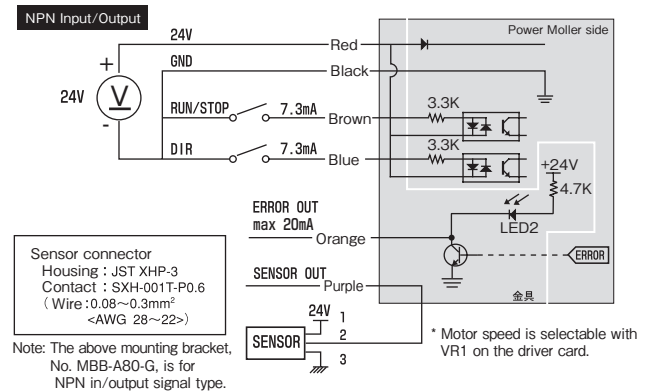
VP V-Belt Pulley
 350mm ≥ 350 mm

JD Both-end D-shaped shaft

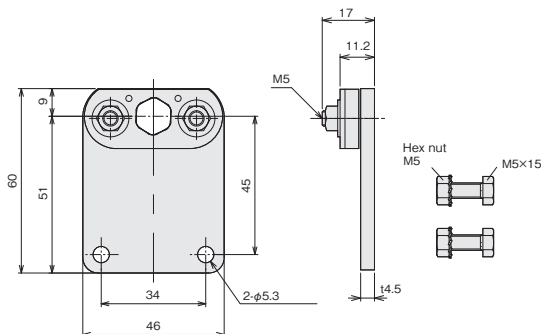
Mounting Bracket : No.MBB-A80-G



- Attach to the power cable side.
- Apply 6~10Nm torque for securing the Power Moller mounting shaft, and 3.5Nm for securing the bracket.

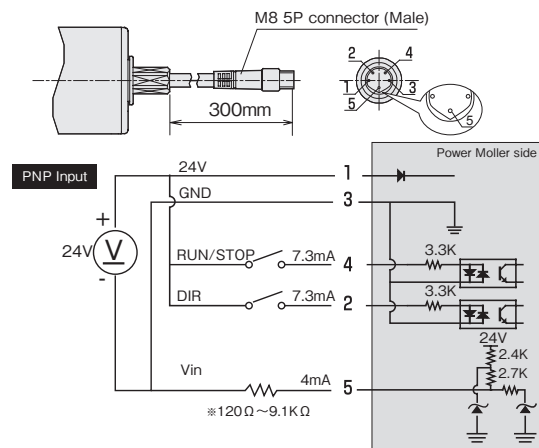


Mounting Bracket : No.MBB-081




- *Attach to the power cable side.
- *Apply 6~10Nm torque for securing the Power Moller mounting shaft, and 3.5Nm for securing the bracket.

Driproofoption/M8 5P connector cable



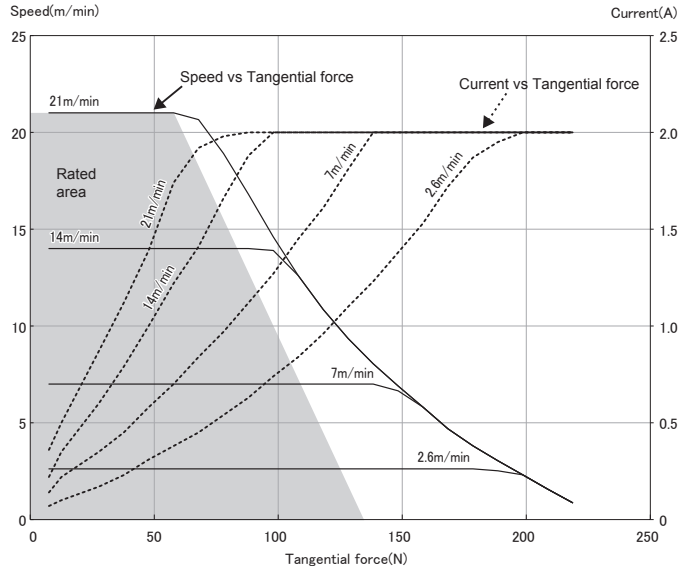
- * Speed setting is available by inputting external voltage instead of an external register.
- * Connect each plugs carefully when wiring.
- * Incorrect wiring could result in malfunction and/or damage on other devices.
- * Optional mounting bracket for IP66 is No. MBD-081-D.

 [MDR Selection Tool] is available on our web page.

Operating characteristics : PM605XE

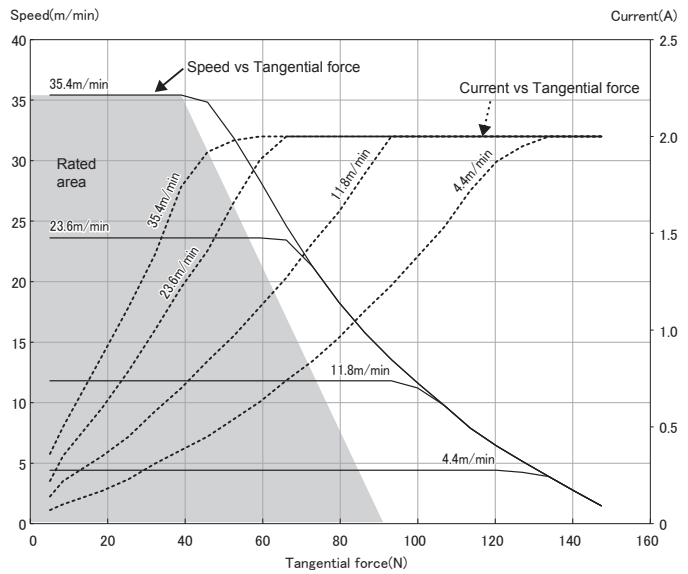
PM605XE-17

Speed (m/min)	Tangential Force(N)		Input Current (A)		Power Input (W)	Power Output (W)	External resistor (Ω)	External input voltage (V)
	No-load	Rated	No-load	Starting				
21.0	58		0.5		31	42	9.1K or over or open	9.3~10
19.3	63		0.5		30	42	6.2K	8.5 \pm 0.2
15.8	75		0.4		30	42	4.3K	7.5 \pm 0.2
14.0	80		0.4		28	41	3.3K	6.5 \pm 0.2
12.3	88		0.3		27	40	2.2K	5.5 \pm 0.2
10.5	93		0.3		23	36	1.8K	4.5 \pm 0.2
7.0	108		0.3		17	30	1.2K	3.5 \pm 0.2
5.2	116		0.2		14	29	750	2.5 \pm 0.2
3.5	121		0.2		10	26	430	1.5 \pm 0.2
2.6	126		0.2		8	23	120 or less of short	0~0.9



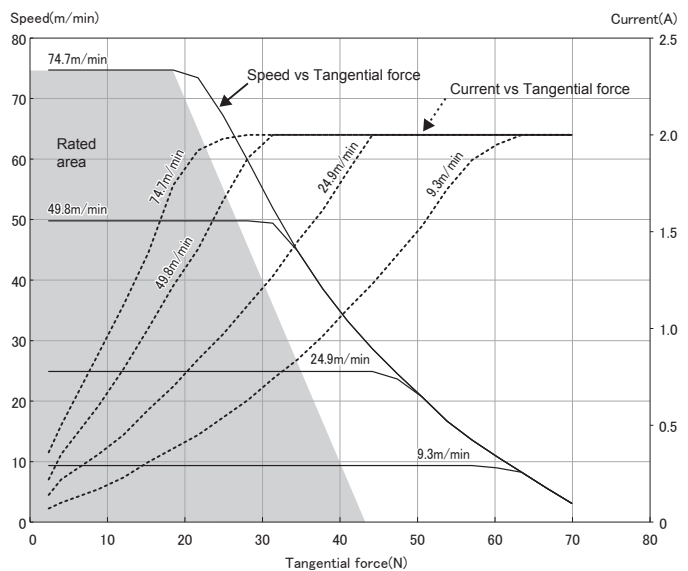
P605XE-30

Speed (m/min)	Tangential Force(N)		Input Current (A)		Power Input (W)	Power Output (W)	External resistor (Ω)	External input voltage (V)
	No-load	Rated	No-load	Starting				
35.4	39		0.5		31	42	9.1K or over or open	9.3~10
32.5	42		0.5		30	42	6.2K	8.5 \pm 0.2
26.6	51		0.4		30	42	4.3K	7.5 \pm 0.2
23.6	54		0.4		28	41	3.3K	6.5 \pm 0.2
20.7	59		0.3		27	40	2.2K	5.5 \pm 0.2
17.7	63		0.3		23	36	1.8K	4.5 \pm 0.2
11.8	73		0.3		17	30	1.2K	3.5 \pm 0.2
8.9	78		0.2		14	29	750	2.5 \pm 0.2
5.9	81		0.2		10	26	430	1.5 \pm 0.2
4.4	85		0.2		8	23	120 or less of short	0~0.9




PM605XE-60

Speed (m/min)	Tangential Force(N)		Input Current (A)		Power Input (W)	Power Output (W)	External resistor (Ω)	External input voltage (V)
	No-load	Rated	No-load	Starting				
74.7	18		0.5		31	42	9.1K or over or open	9.3~10
68.5	20		0.5		30	42	6.2K	8.5 \pm 0.2
56.0	24		0.4		30	42	4.3K	7.5 \pm 0.2
49.8	26		0.4		28	41	3.3K	6.5 \pm 0.2
43.6	28		0.3		27	40	2.2K	5.5 \pm 0.2
37.3	30		0.3		23	36	1.8K	4.5 \pm 0.2
24.9	35		0.3		17	30	1.2K	3.5 \pm 0.2
18.7	37		0.2		14	29	750	2.5 \pm 0.2
12.4	39		0.2		10	26	430	1.5 \pm 0.2
9.3	40		0.2		8	23	120 or less of short	0~0.9



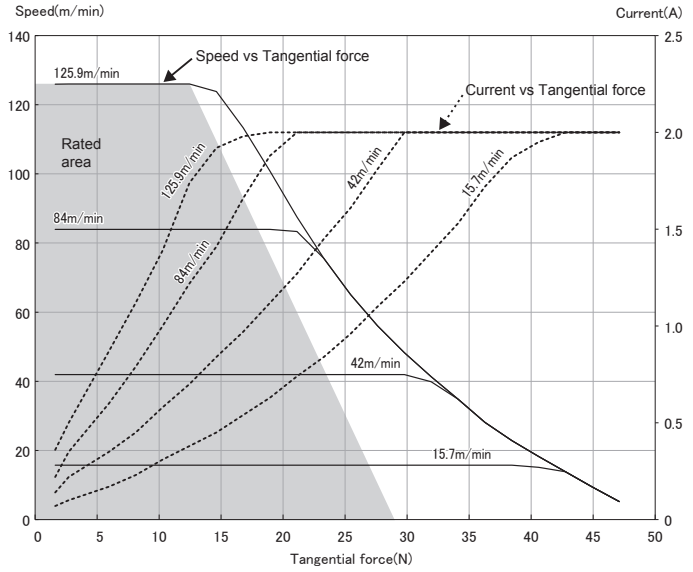
* The values in the characteristics list are when an ambient temperature is 25 degree C, and only for your reference and not the warranted values. The values represent the characteristics of a single standard motor roller(no linked operation) without including other specifications, and the values may change when including other specifications or with linked operation.

 [MDR Selection Tool] is available on our web page.

Operating characteristics : PM605XE

PM605XE-100

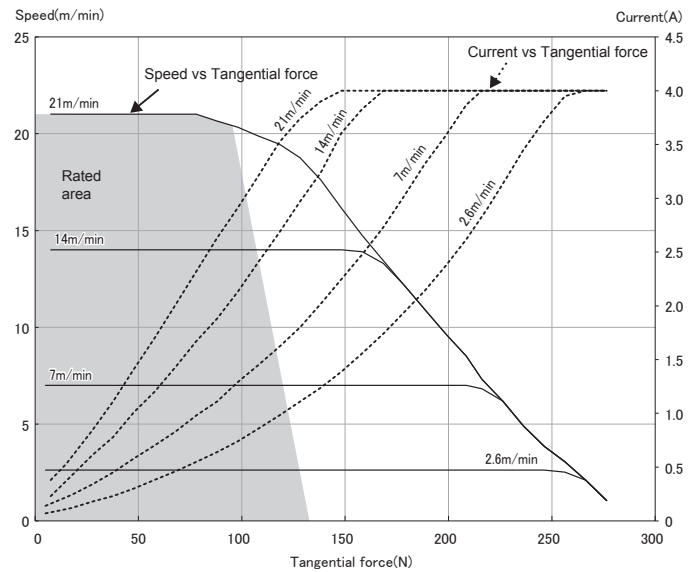
Speed (m/min)	Tangential Force(N)		Input Current (A)		Power Input (W)	Power Output (W)	External resistor (Ω)	External input voltage (V)
	No-load	Rated	No-load	Starting				
125.9	12		0.5		31	42	9.1K or over or open	9.3~10
115.4	14		0.5		30	42	6.2K	8.5 \pm 0.2
94.5	16		0.4		30	42	4.3K	7.5 \pm 0.2
84.0	17		0.4		28	41	3.3K	6.5 \pm 0.2
73.5	19		0.3		27	40	2.2K	5.5 \pm 0.2
62.9	20		0.3		23	36	1.8K	4.5 \pm 0.2
42.0	23		0.3		17	30	1.2K	3.5 \pm 0.2
31.5	25		0.2		14	29	750	2.5 \pm 0.2
21.0	26		0.2		10	26	430	1.5 \pm 0.2
15.7	27		0.2		8	23	120 or less of short	0~0.9



Operating characteristics : PM605XP

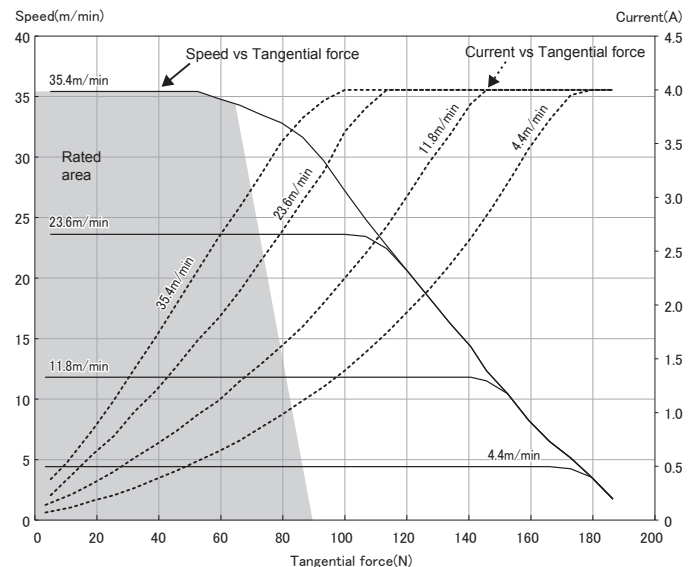
PM605XP-17

Speed (m/min)	Tangential Force(N)		Input Current (A)		Power Input (W)	Power Output (W)	External resistor (Ω)	External input voltage (V)
	No-load	Rated	No-load	Starting				
21.0	96		0.5		46	63	9.1K or over or open	9.3~10
19.3	98		0.5		43	59	6.2K	8.5 \pm 0.2
15.8	103		0.4		39	56	4.3K	7.5 \pm 0.2
14.0	106		0.4		35	51	3.3K	6.5 \pm 0.2
12.3	111		0.3		30	46	2.2K	5.5 \pm 0.2
10.5	113		0.3		29	42	1.8K	4.5 \pm 0.2
7.0	121		0.3		19	35	1.2K	3.5 \pm 0.2
5.2	123		0.2		14	29	750	2.5 \pm 0.2
3.5	126		0.2		10	26	430	1.5 \pm 0.2
2.6	128		0.2		8	23	120 or less of short	0~0.9




PM605XP-30

Speed (m/min)	Tangential Force(N)		Input Current (A)		Power Input (W)	Power Output (W)	External resistor (Ω)	External input voltage (V)
	No-load	Rated	No-load	Starting				
35.4	64		0.5		46	63	9.1K or over or open	9.3~10
32.5	66		0.5		43	59	6.2K	8.5 \pm 0.2
26.6	69		0.4		39	56	4.3K	7.5 \pm 0.2
23.6	71		0.4		35	51	3.3K	6.5 \pm 0.2
20.7	75		0.3		30	46	2.2K	5.5 \pm 0.2
17.7	76		0.3		29	42	1.8K	4.5 \pm 0.2
11.8	81		0.3		19	35	1.2K	3.5 \pm 0.2
8.9	83		0.2		14	29	750	2.5 \pm 0.2
5.9	85		0.2		10	26	430	1.5 \pm 0.2
4.4	86		0.2		8	23	120 or less of short	0~0.9



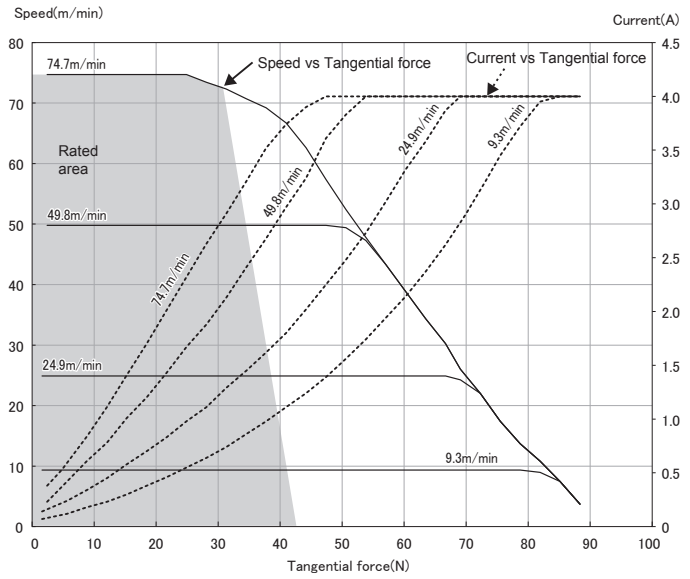
* The values in the characteristics list are when an ambient temperature is 25 degree C, and only for your reference and not the warranted values. The values represent the characteristics of a single standard motor roller(no linked operation) without including other specifications, and the values may change when including other specifications or with linked operation.

 [MDR Selection Tool] is available on our web page.

Operating characteristics : PM605XP

PM605XP-60

Speed (m/min)	Tangential Force(N)		Input Current (A)		Power Input (W)	Power Output (W)	External resistor (Ω)	External input voltage (V)
	No-load	Rated	No-load	Starting				
74.7	31		0.5		46	63	9.1K or over or open	9.3~10
68.5	31		0.5		43	59	6.2K	8.5 \pm 0.2
56.0	33		0.4		39	56	4.3K	7.5 \pm 0.2
49.8	34		0.4		35	51	3.3K	6.5 \pm 0.2
43.6	35		0.3		30	46	2.2K	5.5 \pm 0.2
37.3	36	90	0.3	4.0	29	42	1.8K	4.5 \pm 0.2
24.9	39		0.3		19	35	1.2K	3.5 \pm 0.2
18.7	39		0.2		14	29	750	2.5 \pm 0.2
12.4	40		0.2		10	26	430	1.5 \pm 0.2
9.3	41		0.2		8	23	120 or less of short	0~0.9



PM605XP-100

Speed (m/min)	Tangential Force(N)		Input Current (A)		Power Input (W)	Power Output (W)	External resistor (Ω)	External input voltage (V)
	No-load	Rated	No-load	Starting				
125.9	21		0.5		46	63	9.1K or over or open	9.3~10
115.4	21		0.5		43	59	6.2K	8.5 \pm 0.2
94.5	22		0.4		39	56	4.3K	7.5 \pm 0.2
84.0	23		0.4		35	51	3.3K	6.5 \pm 0.2
73.5	24		0.3		30	46	2.2K	5.5 \pm 0.2
62.9	24	61	0.3	4.0	29	42	1.8K	4.5 \pm 0.2
42.0	26		0.3		19	35	1.2K	3.5 \pm 0.2
31.5	27		0.2		14	29	750	2.5 \pm 0.2
21.0	27		0.2		10	26	430	1.5 \pm 0.2
15.7	28		0.2		8	23	120 or less of short	0~0.9

