

AC For handling heavy load Roller PM763 series

Roller diameter $\phi 76.3$

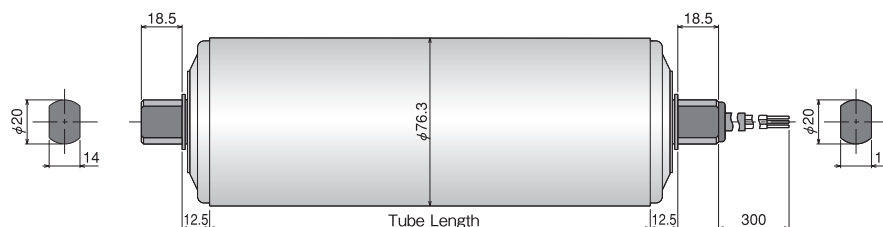
Roller diameter $\phi 76.3$

- Roller diameter / $\phi 76.3$
- Thickness / t3.65
- Shaft diameter / $\phi 20$
- Voltage / 3ph 200V
- Tube material / STKM12
- Surface treatment / Trivalent chromate processing

Operation

Standard type AS series

Continuous duty 24 hours Intermittent Operation Minimum contact time 10 seconds ON, 10 seconds OFF
Motor stops operation at overload by activating the built-in thermal protector.



Tube Length : PM763BS

250mm

Tube Length (mm)	250	300	400	500	600
Weight (kg)	5.4	5.9	6.8	7.7	8.6

- Spring loaded shaft is not available.
- A gap of 2~5mm is required between the frame inside dimension and Power Moller.

Product Designation :

PM763BS - 10 - 300 - 3 - 200 - BR - PL

Power Moller model Nominal Speed Tube Length Voltage Options Straight pipe

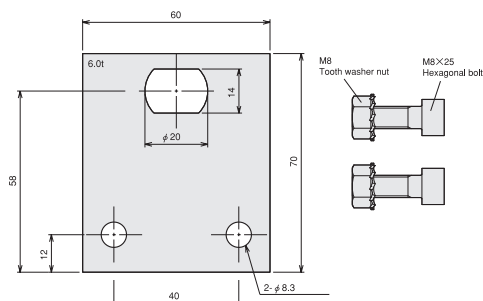
Nominal Speed : 5,8,10,20,30,40

Tube Length : Specify in mm. (Refer to the tube length to the left)

Voltage : 3ph-200V etc.

Options : Each of the following optional specification may be selected.

Mounting Bracket : No.M-021-B



- Available as separately-sold optional component
- 2pcs/set
- Fasten this bracket with 27Nm.

Operating characteristics : PM763BS

3ph 200V/50Hz

Nominal Speed (m/min)	Rated Speed (m/min)	Tangential Force(N)		Torque(N·m)		Input Current(A)			Input (W)	Output (W)
		Rated	Starting	Rated	Starting	No-load	Rated	Starting		
5	5.0	466.6	1423.3	17.8	54.3	0.25	0.32	1.12	52.1	84.6
8	6.7	348.6	1064.2	13.3	40.6					
10	10.1	230.7	705.1	8.8	26.9					
20	20.6	125.8	385.3	4.8	14.7					
30	27.7	94.4	285.7	3.6	10.9					
40	42.5	60.3	186.1	2.3	7.1					

3ph 200V/60Hz

Nominal Speed (m/min)	Rated Speed (m/min)	Tangential Force(N)		Torque(N·m)		Input Current(A)			Input (W)	Output (W)
		Rated	Starting	Rated	Starting	No-load	Rated	Starting		
5	6.0	403.7	1082.6	15.4	41.3	0.19	0.29	1.07	52.1	86.2
8	8.1	301.4	810.0	11.5	30.9					
10	12.2	201.8	537.4	7.7	20.5					
20	24.7	110.1	293.6	4.2	11.2					
30	33.4	81.3	217.6	3.1	8.3					
40	51.1	52.4	141.5	2.0	5.4					

- Please inquire for other voltage.
- Rated speed shown is when loaded. The value at no load, light load and overload varies. Select a right one by referring to "Caution for Design".

Options : PM763BS



Rubber Laggings - NR, UR, NB, CR
Natural rubber, Urethane, NBR, Neoprene



BR Built-In Brake - BR
 300mm



WA Water Proof
 250mm Grounding wire (yellow/green) included. power cable: 1000mm