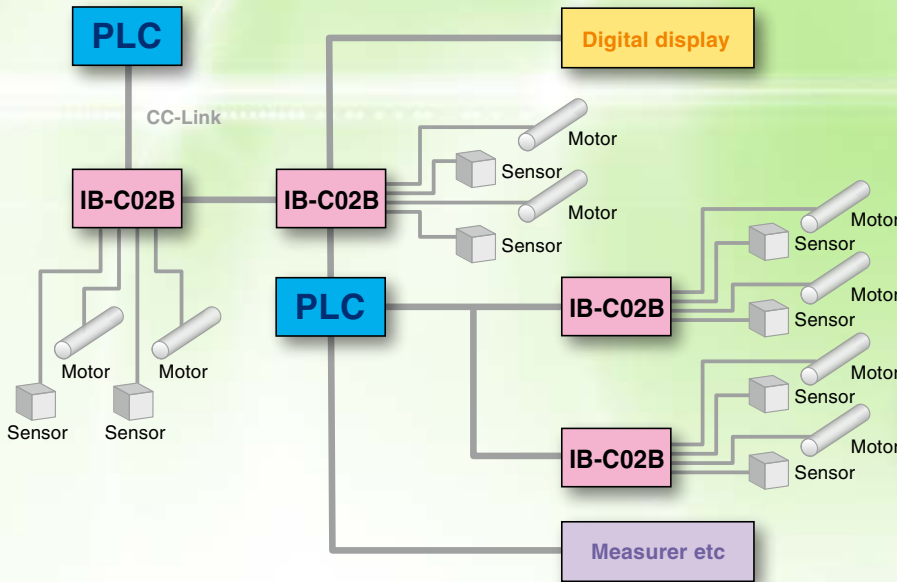


CC-Link based 2 Motor Controller **IB-C02B**

Highly versatile CC-Link based controller

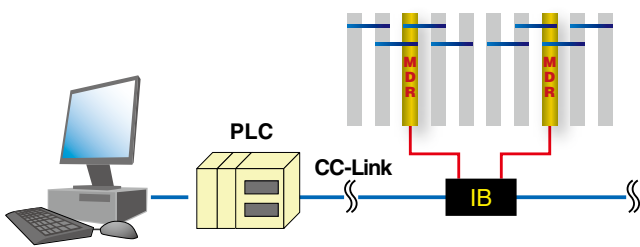


CC-Link is an open industrial network that handles control and information on the same line. This allows IB-C02B controller to communicate with numerous devices connected through CC-Link.



CC-Link

Simplified wiring through direct connection to CC-Linked based devices

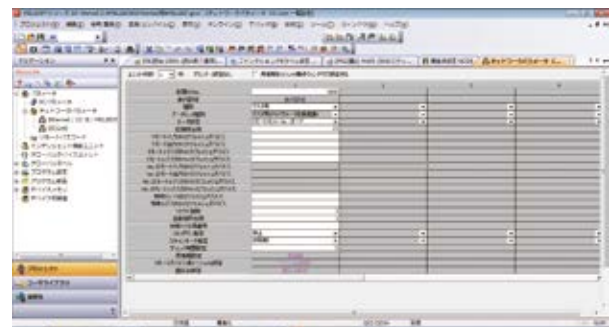


- Easy wiring simply by connection with CC-Link cables.
- IB-C02B has two photo sensor wiring ports.
- Low profile to fit into conveyor frame.



- Frame in controller structure helps reducing wiring time.

Parameter configuration through CC-Link based application



- IB-C02B is applicable to CC-Link application (GX Works) for parameter configuration.

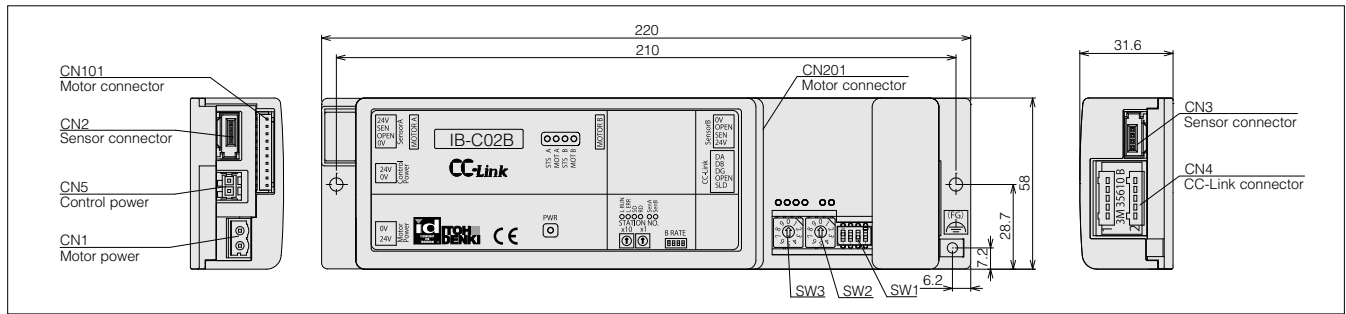
Predictive MDR failure

- Maintenance through predictive MDR failure technology minimizes downtime.

* Optional specifications.

IB-C02B

■Dimensions



■Controller specifications

Motor power	Nominal voltage	24VDC
	Static current	0.05A
	Peak current	20A ≤ 1msec
	Starting current	4.0A per motor axis
Control power	Nominal voltage	24VDC
	Current	0.05A
LED indication	Power (Motor power)	Power (Motor power)
	STS_A/B (Motor status)	STS_A/B (Motor status)
	MOT_A/B (Motor or output)	MOT_A/B (Motor or output)
	L RUN/L ERR/SD/RD (Communication)	L RUN/L ERR/SD/RD (Communication)
Protections	SEN A/B (Sensor status)	SEN A/B (Sensor status)
		7A fuse integral for each motor axis (+ side) Integral diode to protect against wrong polarity
Thermal protections		95°C at motor driver 105°C at motor
	Brake selection	Electric (dynamic) brake Servo lock brake
Motor connector	Controller side	WAGO 231-532/001-000
	Wiring side	WAGO 231-302/026-000
Control connector	Controller side	WAGO 734-162
	Wiring side	WAGO 734-102 **2
Sensor connector	Controller side	37204-1BE0-004PL
	Wiring side	37104-XXXX X00 FL *1
Communication connector	Controller side	35610-5253-B00 PE
	Wiring side	35505-6000-B0M GF
Environmental conditions	Ambient temperature	0 to 40°C
	Humidity	≤ 90%RH (no condensation)
	Atmosphere	No corrosive gas
	Vibration	≤ 0.5G

*1 X value differs in accordance with the cable used.
See 3M website for more details.

**2 Optional

■Standard accessories

- Cross-recessed head screws: M4 x 15
- Hexagonal nut: M4

■CC-Link specifications

Version	CC-Link Ver 1.10
Station type	Remote device station
Number of occupied stations	1 station occupied
Communication speed	10M / 5M / 2.5M / 625K / 156K bps (switch selection)
Communication system	Broadcast polling system
Synchronization system	Frame synchronization system
Encoding method	NRZI
Transmission path format	Bus format (EIA RS485 conformance)
Transmission format	HDLC conformance
Error control system	CRC (X ¹⁶ + X ¹² + X ⁶ + 1)
Maximum number of units connected	(1 x a) + (2 x b) + (3 x c) + (4 x d) ≤ 64 stations
	a: link points for device occupying 1 station, b: link points for device occupying 2 stations, c: link points for device occupying 3 stations, d: link points for device occupying 4 stations.
	16 x A + 54 x B + 88 x C ≤ 2304
	A: Remote I/O station Max 64 units B: Remote device station Max 42 units C: Local station, intelligent device station Max 26 units
Number of slave station	1 to 64
Connection cable	CC-Link ver 1.10 compatible cable (shielded 3 core twisted pair cable)

■Maximum communication distance

Communication speed	156Kbps	625Kbps	2.5Mbps	5.0Mbps	10Mbps
Inter station cable length	>0.2m				
Max. overall cable extension length	1200m	900m	400m	160m	100m
Termination resistor	110Ω (between DA and DB)				

■Options

Name	Part number	Manufacturer
● Power connector for motor (CN1)	231-302/026-000	WAGO
● Power connector for control (CN5)	734-102	WAGO
● CC-Link standard connector	35505-6000-B0M GF	3M
● Termination resistor connector	35T05-6M00-B0M GF	3M
● Divider connector H shaped	35720-L200-B00	3M
● Sensor connector	37104-XXXXX-X00FL *	3M

* X value differs in accordance with the cable used.
See 3M website for more details.

Technology for tomorrow



Headquarters

■ ITOH DENKI Co., Ltd. 1146-2 Asazuma-cho, Kasai, Hyogo 679-0180 Japan
Tel: +81 790 47 0955 Fax: +81 790 47 1325

North & South America

■ ITOH DENKI USA, INC 2 Great Valley Boulevard Hanover Crossings
Business Park Wilkes-Barre PA 18706-5332 U.S.A.
Tel: +1 570 820 8811 Fax: +1 570 820 8838

Europe, Middle East & Africa

■ ITOH DENKI Europe SAS 490, avenue des Jourdiés, ZAE des Jourdiés BP 323,
74807 St Pierre en Faucigny CEDEX, France
Tel: +33 4 50 03 09 99 Fax: +33 4 50 03 07 60

■ UK office Tel: +44 19 24 36 65 39 Fax: +33 4 50 03 07 60

■ Germany office Tel: +49 911 25 26 200 Fax: +49 911 25 26 201

Asia & Oceania

■ ITOH DENKI Asia Limited Unit F, 22nd Floor, No.8 Hart Avenue, Tsim Sha Tsui,
Kowloon, Hong Kong
Tel: +852 2427 2576 Fax: +852 2427 2203

China

■ ITOH DENKI Shanghai Co., Ltd. No.689, Room 1812, No.689 Guangdong Rd, Shanghai
P.R. 200001, China
Tel: +86 21 6341 0181 Fax: +86 21 6341 0180