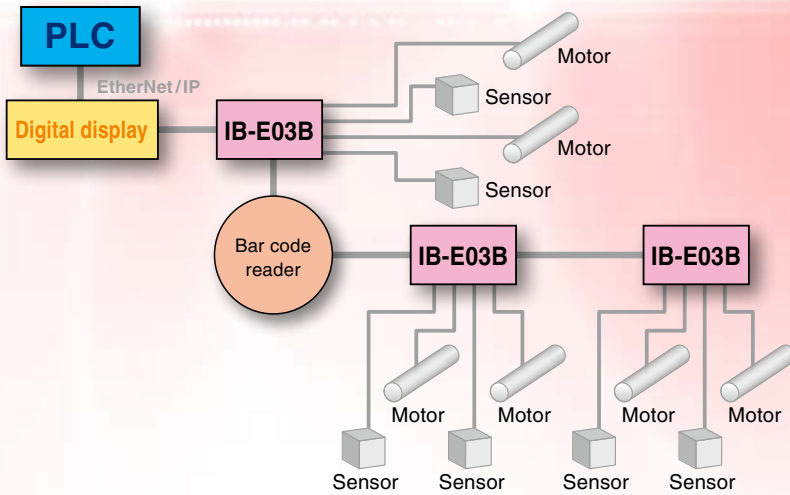


# EtherNet/IP based 2 Motor Controller **IB-E03B**

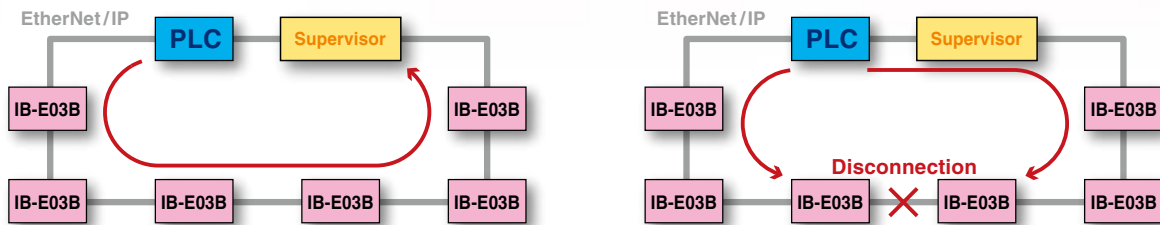
## EtherNet/IP based high speed communication

EtherNet/IP is the same Ethernet used in your front office combined with a common protocol that provides robust, real time networking for motion, drive, safety, process and high speed discrete control. It is an implementation of the Common Industrial Protocol (CIP). Custom programmable ladder logic is available for fine tuning your specific application.

With direct connectivity over Ethernet, simple, seamless and high speed network communication system can be built from sensor signal through information data.

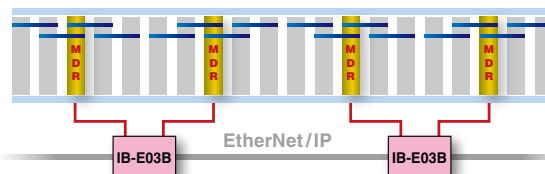
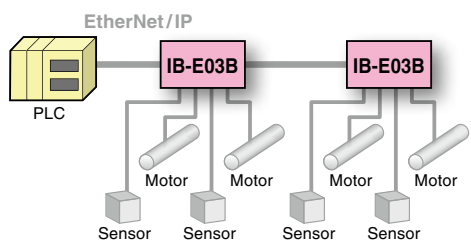


### Device Level Ring (DLR) though Supervisor



- Device Level Ring (DLR) provides fault-tolerant network design for both daisy chain and linear topology. This ensures continued network communication.

### Simplified wiring



- IB-E03B has photo sensor wiring ports allowing seamless connections of signals and information.
- IB-E03B controls two MDR units, and simple LAN cable wiring connects multiple IB-E03B units.

### ICE – Itoh Configurator for EtherNet/IP Dedicated PC application software for setting parameters

- Enables autonomous distributed control through local logic setting, allowing the control to make local decision without waiting for high layer command.
- Various monitor functions (MDR failure diagnosis)



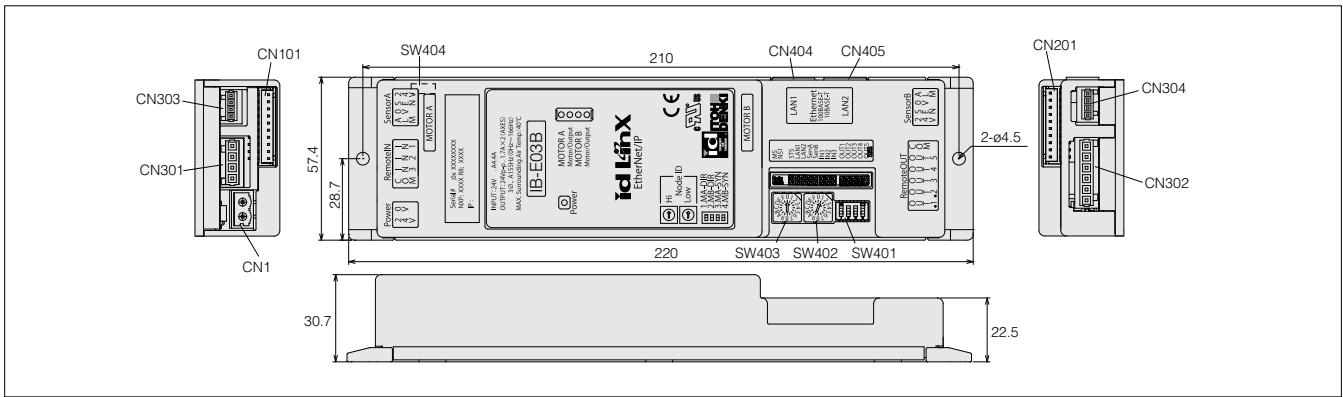
Parameter setting

Ladder logic setting

MDR current draw

# IB-E03B

## ■Dimensions



## ■Controller specifications

Motor power	Nominal voltage	24VDC
	Static current	0.15A
	Peak current	20A ≤ 1msec
	Starting current	4.0A per motor axis
Control power	Nominal voltage	24VDC
	Current	0.05A
LED indication		
Protections	7A fuse integral for each motor axis (+ side) Integral diode to protect against wrong polarity	
Thermal overload protections	95°C in the motor driver circuitry 105°C in the motor	
Brake selection	Electric (dynamic) brake Servo lock brake	
Power connector	Controller side	231-532 / 001-000
	Wiring side	231-302 / 026-000
Sensor connector	Controller side	WAGO 733-364
	Wiring side	WAGO 733-104
Communication connector	Controller side	TMR 11R-5M2-88 (Hirose)
	Wiring side	RJ45 (Hirose)
Environmental conditions	Ambient temperature	-20 to 40°C
	Humidity	≤ 90%Relative Humidity (no condensation)
	Atmosphere	No corrosive gases
	Vibration	≤ 1.0G

\* AOP (Add-On Profile) available from Rockwell Automation.

## ■Communication specifications

ODVA conformance test	CT11
Protocol	Ethernet (IEEE 802.3)
Transmission media	Standard Ethernet cable (CAT 5 or over) 100BASE-TX
Communication speed	10Mbps/100Mbps (automatic negotiation)
Transmission form	Full duplex/half duplex (Auto negotiation)
Standard	UL and CSA recognized (pending) UL 508 and CSA C22.2 No. 14 (Recognized component) ●Category Code No. (CCN): NMMS2, NMMS8 ●- File No. E33970

## ■Standard accessories

- Cross-recessed head screws: M4 x 15
- Hexagonal nut: M4

## ■Options

Name	Part number	Manufacturer
●Motor power connector (CN1)	231-302 / 026-000	WAGO
●Communication connector	RJ 45	Hirose
●Sensor connector	733-104	WAGO
●Control connector	734-204 (External input) 734-206 (Signal output)	WAGO WAGO

## Technology for tomorrow



### Headquarters

■ ITOH DENKI Co., Ltd. 1146-2 Asazuma-cho, Kasai, Hyogo 679-0180 Japan  
Tel: +81 790 47 0955 Fax: +81 790 47 1325

### North & South America

■ ITOH DENKI USA, INC 2 Great Valley Boulevard Hanover Crossings  
Business Park Wilkes-Barre PA 18706-5332 U.S.A.  
Tel: +1 570 820 8811 Fax: +1 570 820 8838

### Europe, Middle East & Africa

■ ITOH DENKI Europe SAS 490, avenue des Jourdiés, ZAE des Jourdiés BP 323,  
74807 St Pierre en Faucigny CEDEX, France  
Tel: +33 4 50 03 09 99 Fax: +33 4 50 03 07 60

■ UK office Tel: +44 19 24 36 65 39 Fax: +33 4 50 03 07 60

■ Germany office Tel: +49 911 25 26 200 Fax: +49 911 25 26 201

### Asia & Oceania

■ ITOH DENKI Asia Limited Unit F, 22nd Floor, No.8 Hart Avenue, Tsim Sha Tsui,  
Kowloon, Hong Kong  
Tel: +852 2427 2576 Fax: +852 2427 2203

### China

■ ITOH DENKI Shanghai Co., Ltd. No.689, Room 1812, No.689 Guangdong Rd, Shanghai  
P.R. 200001, China  
Tel: +86 21 6341 0181 Fax: +86 21 6341 0180