

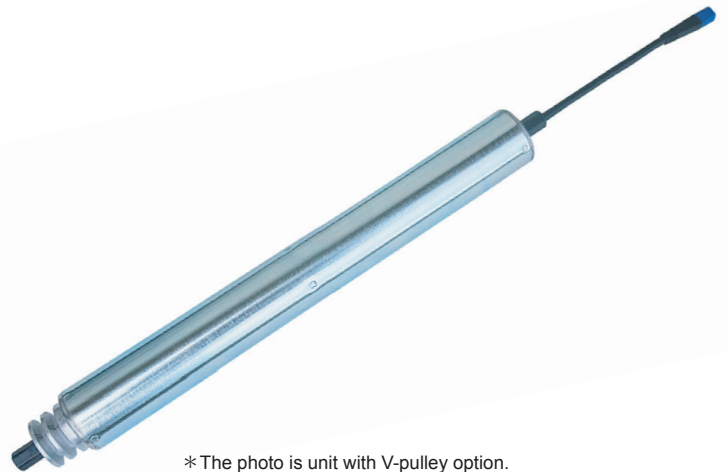


Brushless Motor for Light load conveying.

PM380/427LS

Motor Driven Roller

< User Manual >



*The photo is unit with V-pulley option.

Read this manual before use

Thank you for purchasing PM380/427LS.
In this manual, the Brushless Motor for Handling Light Loads
“PM380/427LS” is described as MDR or this product.
“PM380LS” and “PM427LS” are described separately, when
needed.

*Applicable driver is not included.



Before using this product, carefully read this user manual and fully understand the content.
Keep this document readily accessible for future reference.

For more details about applicable driver(CBL-402F2), please download the user manual from our web page.

ITOH DENKI  Home > Download/Support > User Manual

<https://itohdenki.co.jp/english/support/manual.html>



1. Introduction

Features

- Dia. 38mm roller makes small package transfer.
- 6Pin D shaped Motor connector.

Disclaimer

- This product is designed as a general industrial device. Do not use for other applications. We do not take any responsibility for any damage that may result from the disregarding of these warnings.
- In the event that an accident results from the use of this product, we do not compensate for any damage, including abnormalities of equipment, connection devices, and/or software, any damage resulting from malfunctions, and/or any other secondary damage.
- Caution : Installation, operation and usage of ITOH DENKI MDRs in combination with a control card designed by a third party could result in fatal phenomena such as fire, electric shock, injuries etc which are out of the responsibility of ITOH DENKI.

Notes on industrial property rights

There are some examples of parts that need to be prepared by customers, as explained within this manual. However, this does not provide any guarantee against the existence of any rights, such as our industrial property rights, or those of other companies, in advance.

Notes on technical support

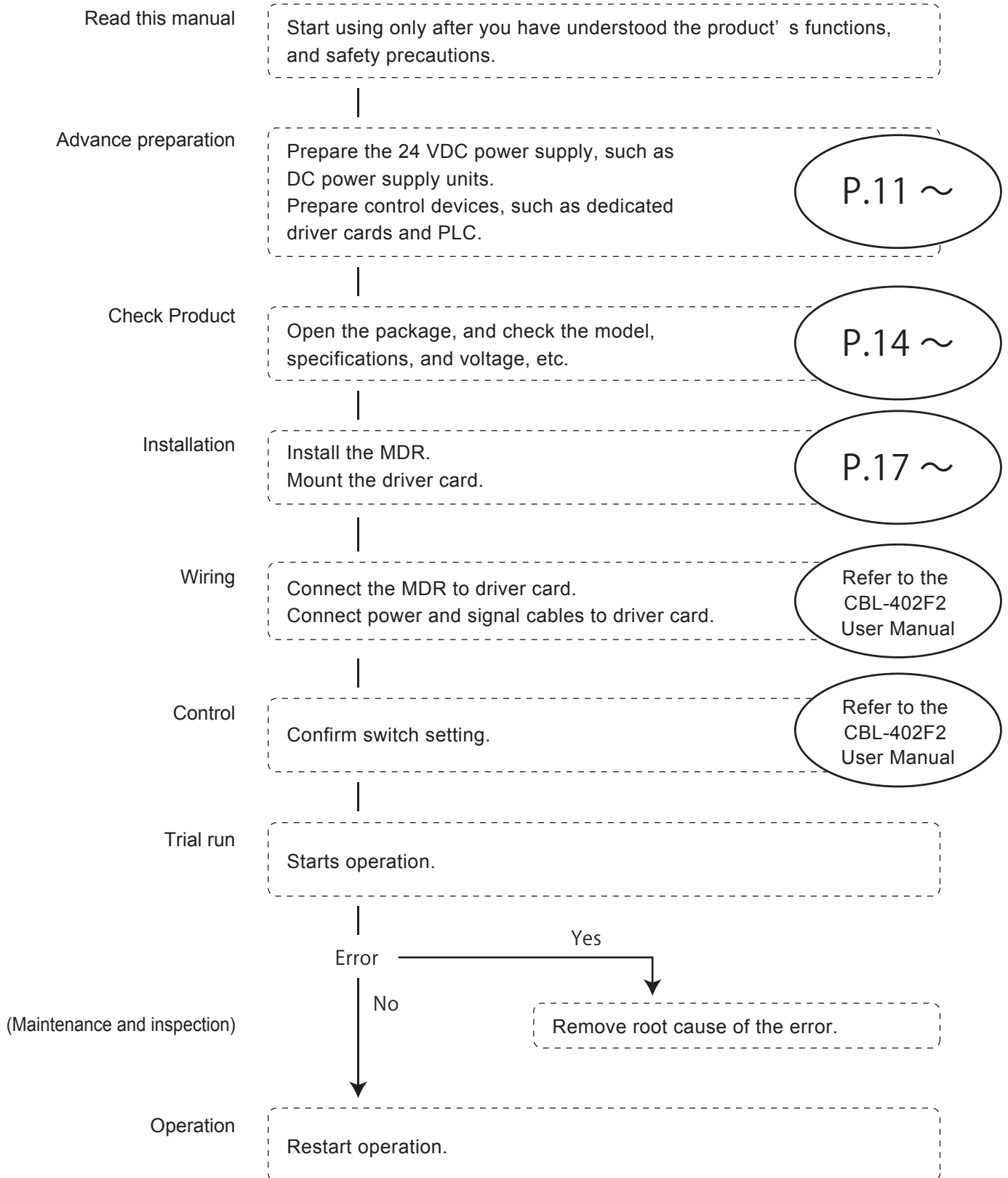
We respond to technical inquiries based on the contents described within this manual, and on this product within the range of general items for this product unit with standard specifications, and for the options prepared by us.

There are some descriptions in this manual, about parts, equipment, and wiring arranged by customers, as well as the controls and operation under such circumstances. However, these are not included in the guaranteed operating range and/or support.

Check and/or test by your own risk or your responsibility.

2. Procedures from installation to operation

Procedures from installation to operation



INDEX

1. Introduction	2
2. Procedures from installation to operation	3
3. Safety precautions	5
3-1. General precautions	7
3-2. Precautions on installation	9
3-3. Precautions on wiring	9
3-4. Precautions on maintenance and inspection	10
4. Advance preparation	11
5. Check Product	14
6. Installation	17
6-1. Preparation for install MDR	18
6-2. Install the MDR	19
7. Maintenance/Inspection	21
8. Specifications	23
Product specifications	24

3. Safety precautions



Refer to 5. Check Product (P.15) for parts name.

3. Safety precautions

Danger level



To prevent hazards to users and/or others, and/or damage to property in advance, we explain important precautions to be followed securely as below.

- We categorize the degree of hazard and/or damage that may result if a user disregards the description, and operates the product improperly, using and explaining the following symbols.

 WARNING	This indicates a high possibility that severe injury or even death may result.
 CAUTION	This indicates a high possibility that injury, or only property damage may result.

Symbol explanation

- We categorize the type of those precautions using the following symbols throughout the manual.

	This symbol indicates to tells that shall follow the instruction.
	This symbol indicates operations that are prohibited.

3. Safety precautions

3-1.

General precautions

WARNING



Do not use the product near places subject to explosive, flammable gas, and/or corrosive atmosphere, and/or combustible materials.

Failure to follow this could result in explosion, fire, electric shock and/or injury.



When using the product in places where serious accidents and/or damage may possibly occur, install backup and/or fail-safe functions systematically.

Failure to follow this could result in the inability to control this product due to driver card malfunction, which could lead to serious accidents.

CAUTION



Never remodel the product.

Failure to follow this could result in serious accidents. We assume no responsibility for remodeled products.



Make sure to attach ground wires to the conveyor body.

Failure to follow this could result in electric shock if any malfunction or leakage occurs.



While the MDR is running, do not touch the product when operation has just ceased.

Failure to follow this could result in hands/clothes getting caught, and/or burns.



Do not apply strong impact and/or excessive force to the product, such as hitting it with objects, or dropping it. Also, do not use the equipment if strong impact has been applied, and/or if the appearance has become deformed.

Failure to follow this could result in malfunction due to applied impact.



Do not apply heavy loads to this product, such as stepping on it.

Failure to follow this could result in people falling and/or malfunction.



Stop operation when abnormal sound is heard during operation.

Failure to follow this could result in unexpected accidents.



Do not use in a way exceeding the range of the product specifications.

Failure to follow this could result in malfunction, fire, and/or injury.



Turn off the power supply to the product before moving, installing, maintenance and/or inspection (excluding those during operation).

Working while the power is on could result in accidents due to unexpected operation.

3. Safety precautions

3-1.

General precautions

CAUTION



Do not turn on/off relays and/or contactors near power cables, signal cables, and/or driver cards.

Failure to follow this could result in malfunction due to noise generation.



LED or Pull-up/Pull-down circuits implemented in the output circuit of control devices could result in unexpected operation.

Carefully check the output circuit.



Do not unplug power and/or signal cables during operation. Do not run/stop this product using the power supply.

Failure to follow this could result in malfunction.



Do not forcibly rotate the MDR in its stopped state with external force.

Failure to follow this could result in damage to driver cards, and/or their lifetime to be significantly shortened.



When disposing of the product, make consigning contracts with licensed industrial waste disposers, and consign the disposal to them.

3. Safety precautions

3-2.

Precautions on installation

CAUTION



When handling, wear protective equipment, such as gloves. Since this product consists in large part of metal, careless handling could result in hands getting injured.



Make sure to use the recommended tightening torque to tighten fixing screws of the mounting bracket. Failure to follow this could result in bolts and/or screws loosening, and/or malfunction. ⇒ P.20



If necessary warning/caution labels become hidden after installation, affix again on places where they can be seen.



Fix the product securely using the mounting bracket designated by us. Failure to follow this could result in injury and/or damage to the product. ⇒ P.20



Make sure to check the direction of rotation before connecting the product to other devices. Failure to follow this could result in injury and/or damage to devices.



Secure a space between the MDR and frame so that the right and left space becomes 2 mm to 5 mm when combining both sides.

3-3.

Precautions on wiring

CAUTION



When attaching or removing connectors, turn off the power first, securely hold connectors, and perform operation. Do not apply excessive force to the driver connection parts, such as obliquely attaching or removing connectors. Failure to follow this could result in electric shock, malfunction, and/or accidents due to unexpected operation.



Perform wiring to connectors so that cables make secure contact with connectors. Barb lines from the cable core could result in heat generation and/or fire due to changes of contact resistance, and/or short circuit with the adjacent contact.



Do not forcibly bend and/or pull cables. Also, do not put heavy materials on cables, or do not get them stuck between cables. Failure to follow this could result in fire and/or electric shock due to cable damage.



Wire when the power is shut off. Failure to follow this could result in electric shock and/or accidents due to unexpected operation.



Do not wire in places subject to water, and/or with wet hands. Failure to follow this could result in electric leakage, short circuit, and/or fire.

3. Safety precautions

3-4.

Precautions on maintenance and inspection

WARNING



If any abnormalities are found, do not use this product until the causes have been eliminated completely .

Using this product with unattended abnormalities could result in not only damage to the devices, but also unexpected accidents.



Maintenance shall be done by specialists (or people who have sufficiently acquired skills) under instructions by management supervisors.



At the time of maintenance and inspection, post warning labels so as to prevent unauthorized persons from turning on the power.

Failure to follow this could result in unexpected accidents.

CAUTION



When repairing/replacing, wear protective equipment, such as gloves.

Failure to follow this could result in hands getting injured by metal parts.



Do not disassemble sections and/or parts other than those specified.

Failure to follow this could result in malfunction and/or unexpected accidents.



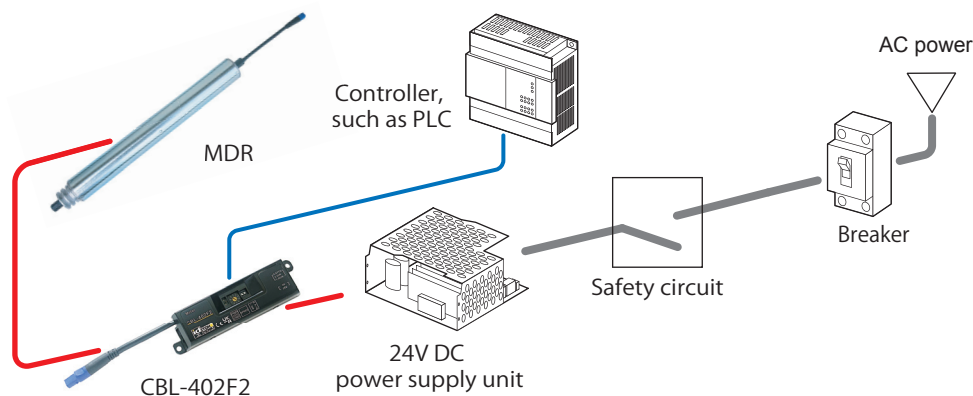
Make sure to prepare repair/replacement parts designated by us.



Using parts other than those designated by us could result in malfunction.

4. Advance preparation

4. Advance preparation

Wiring image



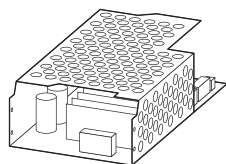
-  ■ As for the sensor input, and input/output signals of driver cards, adopt the number of inputs/outputs based on operation.
-  ■ The safety circuit includes the emergency stop equipment and magnet contactor.

The other devices need to be prepared


Before introducing this product, prepare the following devices separately.

① 24V DC power

Power supply equipment to supply 24V DC to this product



- Switching power supply (24V DC)
3 A 72 W or more per MDR
- 24V DC battery

-  ■ A switching power supply is recommended as the DC power supply (24 VDC±10%) for drivers.
- Use a stabilized power supply that has an adequate capacity of 24V DC and 3A or higher and does not fluctuate due to load variation.
- A transformer type power supply cannot be used.
- Secure a voltage of 24V DC±10% at the power supply terminal of a driver card.
- If the power supply capacity is smaller than the rated power of the dedicated driver card multiplied by the number of MDRs to be used, the supply voltage may drop and cause failure or damage of the MDR and driver card. Be sure to use a power supply with a capacity larger than the rated power of the dedicated driver card multiplied by the number of MDRs to be used.
- *When starting multiple MDRs simultaneously, use a power supply with a capacity of 3A multiplied by the number of MDRs to be used.
- The power supply should not activate protection with peak current 20A, 1 ms or below.
- For the power supply unit, use an isolation type switching power supply compliant with the safety standard (IEC62368-1). Do not use a non-isolation type power supply for safety reasons, since it may not conform to the radiation noise regulations.

② Driver card

CBL-402F2

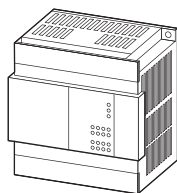


Safety precautions
Advance preparation
Check Product
Installation
Maintenance/Inspection
Specifications

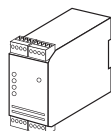
4. Advance preparation

③ Control devices

Devices to control this product, such as PLC



④ Safety relay

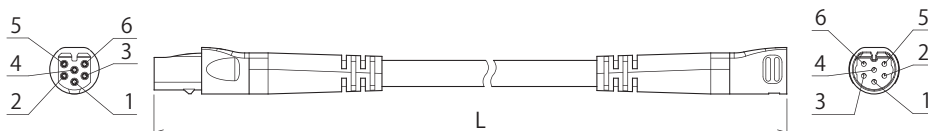


⑤ MDR extension cables (Option)

Necessary when the installing location of the MDR is far from that of the driver card.

■ CBL-402F2 : 6-pin D shaped connector extension cable

Model	6-pin D shaped connector extension cable
ACE-CBL-K0600	L= 600mm
ACE-CBL-K1200	L=1200mm
ACE-CBL-K2700	L=2700mm



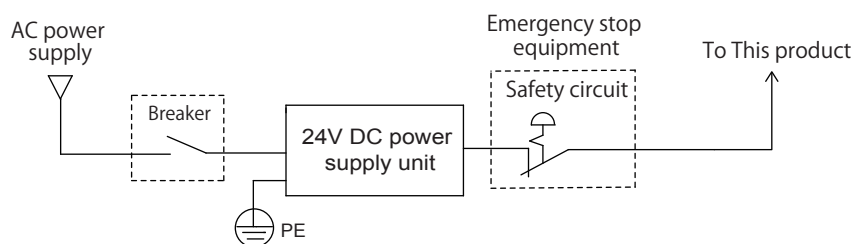
- Cables can be extended up to 3000mm, including the MDR cable length.
- Do not extend cables by connecting multiple extension cables.

⑥ Emergency stop equipment



This product does not include the emergency stop equipment. Customers must make sure to install it.

Install the emergency stop equipment on the side of the 24V DC power unit to which the power is supplied.



⑥-1 Checking the breaker

Regarding equipment where this product is installed, check that a breaker with appropriate capacity for AC input specifications of the 24V DC power supply unit has been installed. If abnormal operation should occur, protection through the breaker could be effective.

Note that when using an earth leakage breaker, select one that is "inverter corresponding". Some inverter non-corresponding earth leakage breakers could result in malfunction, since they may recognize high-frequency components of the switching power supply as leakage.

⑥-2 Operation check

When the 24V DC power supply unit has been installed, check that the breaker and safety circuit can work properly. Perform operation following the trial operation after checking them.

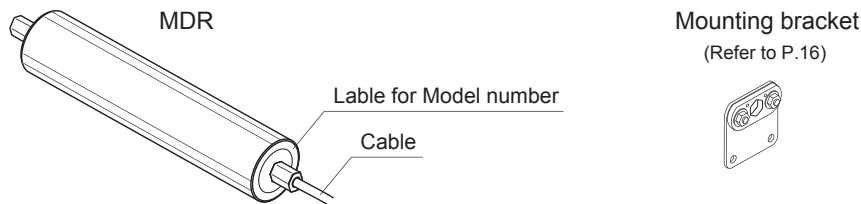
- ① Input to the 24V DC power supply unit (AC power) is securely turned ON/OFF when turning ON/OFF the breaker.
- ② This product input (24V DC) is securely turned OFF/ON when turning ON/OFF the safety circuit.

5. Check Product

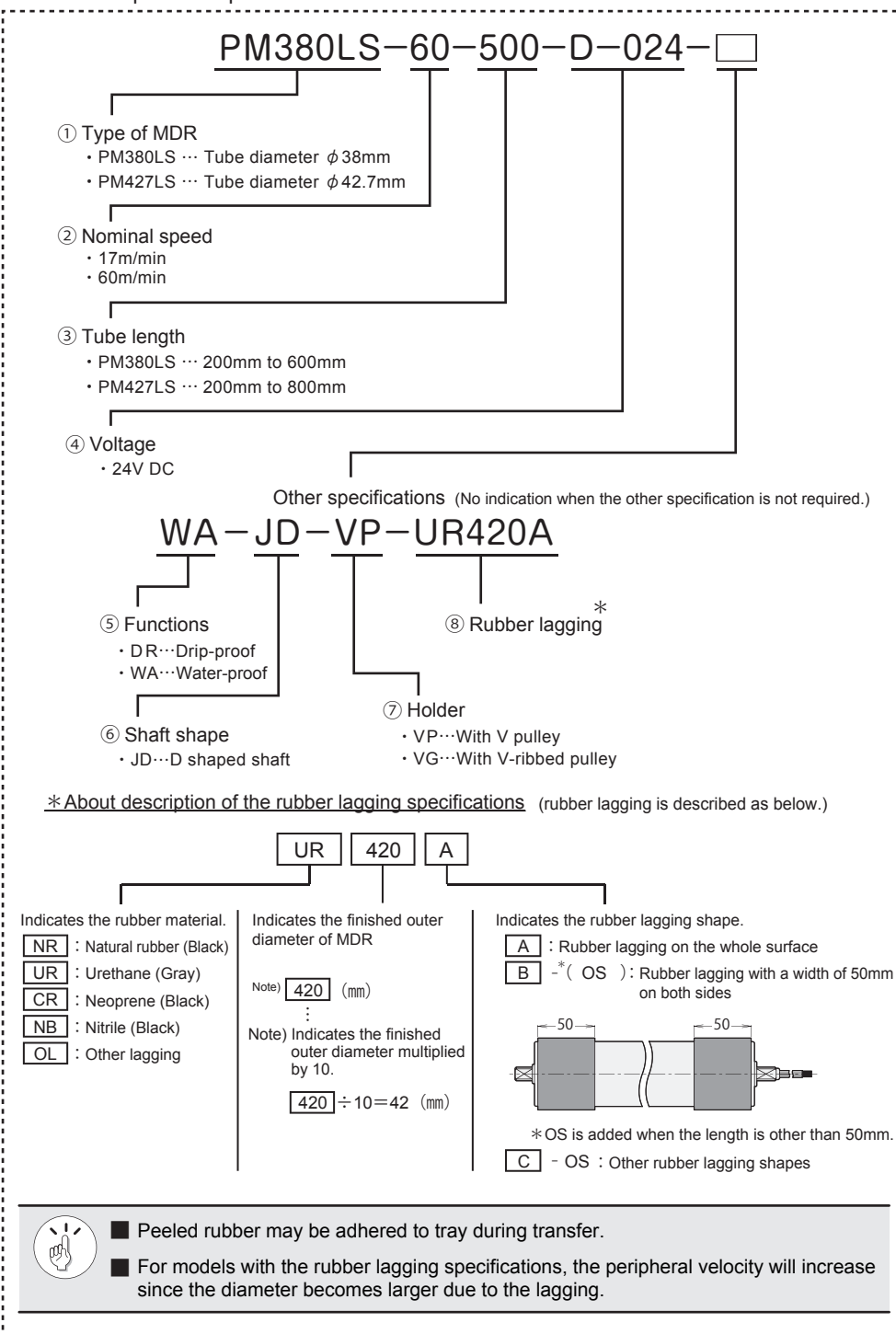
5. Check Product

Checking the model

Unpack the product, and check that the product model is what you ordered.



Model description sample



Nominal speed

The speed on the MDR roller surface (m/min), and the nominal speed with a nice round value for convenience. As such, values differ slightly from the actual speed.

5. Check Product

Checking appearance

- ① Check any abnormalities, such as traces of scratches, dents, dirt, and/or corrosion (rust) on MDR.
 - ② Confirm parts that are supposed to be included such as screws.
- * If any abnormalities are found, contact the supplier immediately.

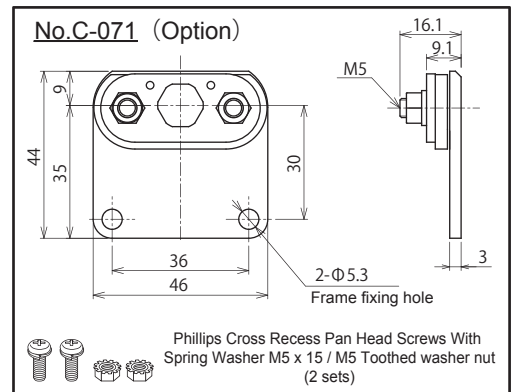
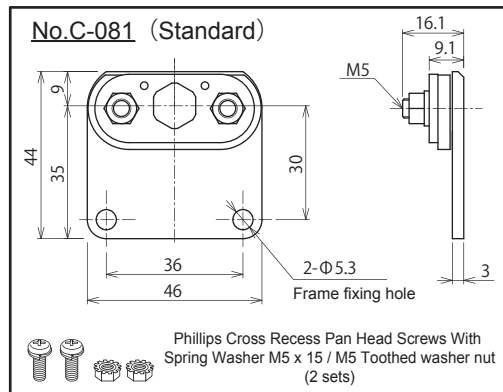
Checking accessories

Mounting bracket

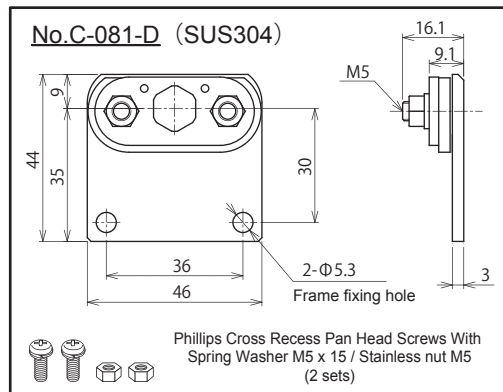
Confirm received mounting bracket was correct from following.

Hexagon shaped shaft

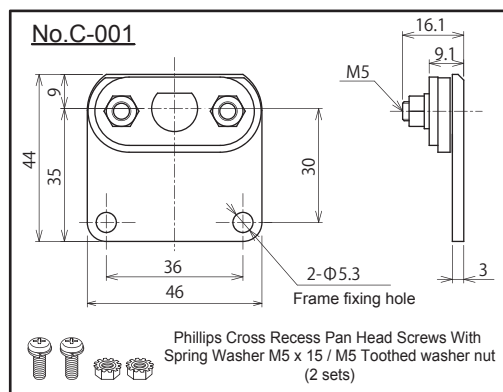
Depending upon shaft shape on MDR, mounting bracket is different.



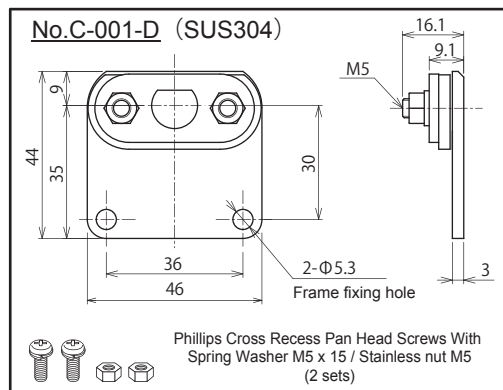
Hexagon shaped shaft (for water-proof)



D shaped shaft



D shaped shaft (for water-proof)



Safety precautions

Advance preparation

Check Product

Installation

Maintenance/Inspection

Specifications

6. Installation

6. Installation

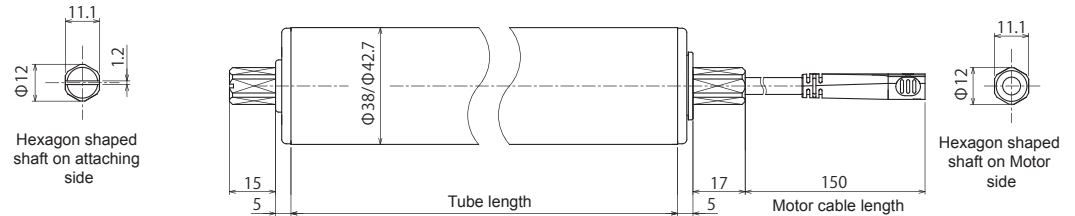
6-1.

Preparation for install

MDR

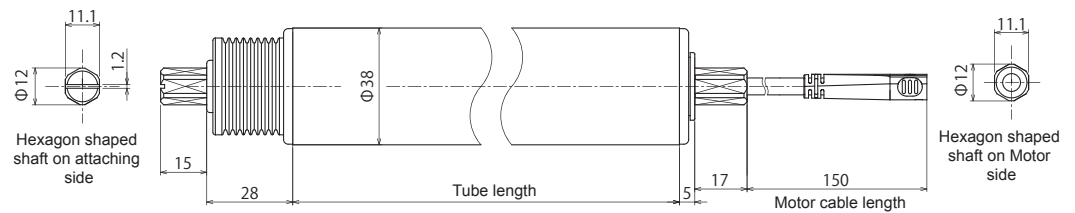
MDR dimensions

Standard

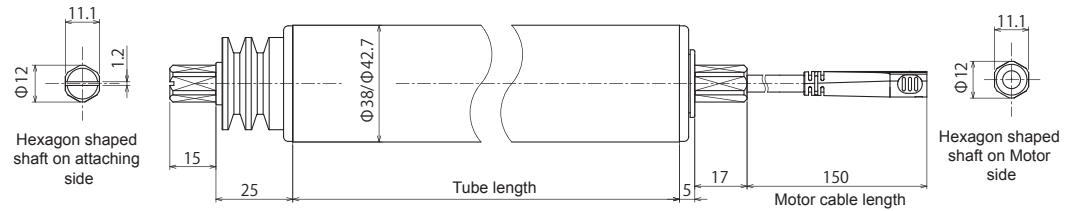


V-ribbed pulley specifications

* PM380LS only



V pulley specifications



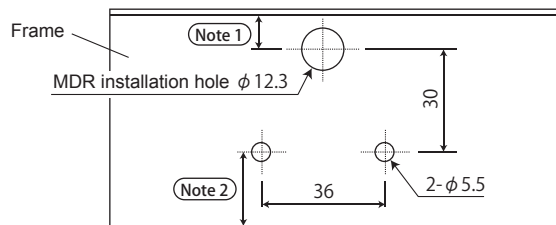
■ Motor cable length for any specification of PM380/427LS is fixed to 150mm.

Figure of MDR mounting holes

Holes for installation on frame.

1 Make mounting holes of MDR installation.

* For Installation hole processing positions, refer to the figure below.



■ 1 Secure a space of 9 mm or more.

■ 2 Secure a space of 6 mm or more.

■ For 1 and 2, do not include the frame bend radius in the stated values.

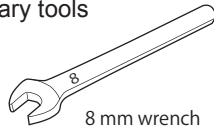
6. Installation

6-2.
Install the MDR

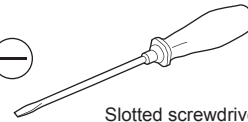


■ Use proper mounting brackets produced by ITOH DENKI to tighten shaft of MDR.
If the shaft rattles or spins free inside the frame, it could result in cable damage and/or damage to the MDR.

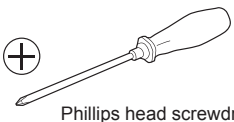
Necessary tools



8 mm wrench



Slotted screwdriver



Phillips head screwdriver

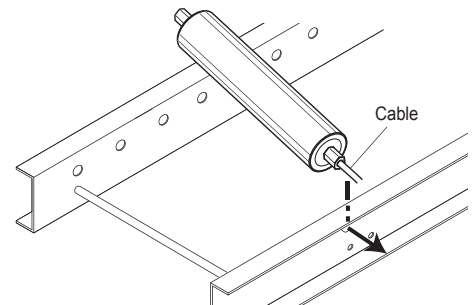
Install the MDR

1

Put the shaft on the cable side into the conveyor frame.



■ Be careful not to get the cable caught in the frame.

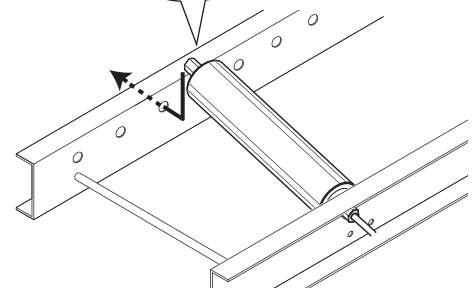
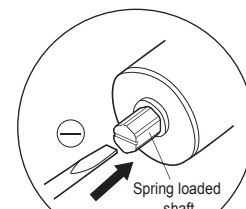
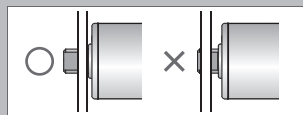


2

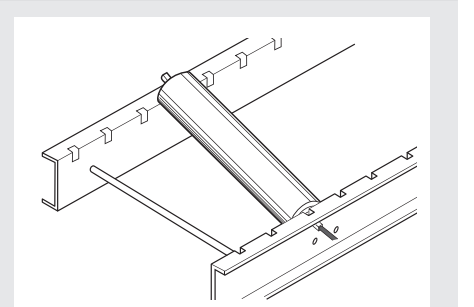
Push the spring loaded shaft using the tip of a slotted screwdriver, etc., and pass it through the frame hole.



■ Do not push the shaft beyond the thrust shaft collar.
■ Check that the spring loaded shaft has sufficiently come out of the external side of the frame, as shown in the figure below.



■ Some rollers do not equipped a spring loaded shaft depending on specifications or tube length. In that case, install the roller to a frame applied an additional processing.



6. Installation

3 Pass the cable and shaft through hole of mounting bracket and mount the mounting bracket to the frame.

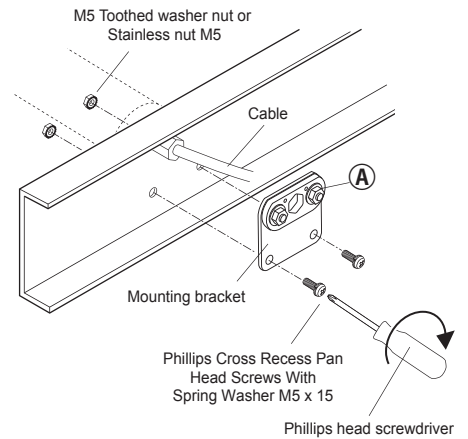


Loosen (remove) attached nut (A in fig) in advance to make the mounting bracket easier to mount.



Recommended tightening torque
3.5N·m

Do not forcibly bend and/or pull cables and/or connectors.

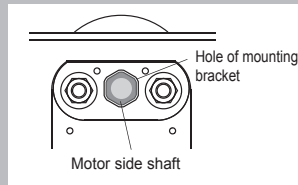


4 Use the hexagon nut with the flange (A in fig) of the mounting bracket to tighten the MDR.

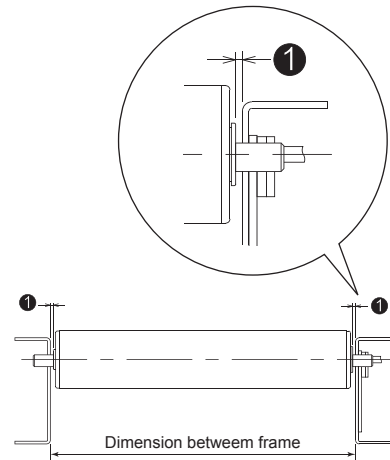
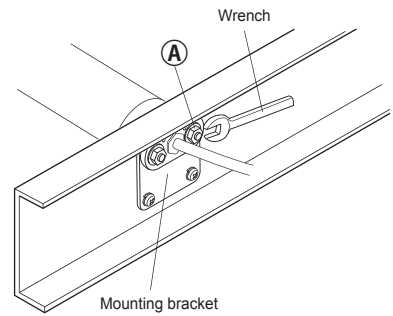


Recommended tightening torque
3N·m

Confirm the shaft is must be passed through three plates before tighten nut.



Secure a space between the frame inside and MDR should be 2 mm to 5mm total and both of side should have the space.



7. Maintenance/Inspection

7. Maintenance/Inspection

MDR inspection

MDR inspection

No.	Items to be checked	Countermeasures	References
1	Screws and/or Nut of mounting bracket is loose.	Tighten Screws or Nut by proper torque.	P.20
2	There are errors (abnormal sound and/or operation failure) when running the MDR.	Replace MDR, if necessary.	—
3	The MDR's mounting shaft has not passed through all the three mounting bracket plates.	Pass through Motor shaft into three plates of mounting bracket.	P.20



■ Make sure to inspect items 1 to 3 once every day.

Specifications

Specifications

Appendix
Product specifications

MDR specifications

MDR	Tube diameter		φ 38 / φ 42.7
	Tube length		φ 38 : 200mm to 600mm / φ 42.7 : 200mm to 800mm
	Tube material	Standard / Drip-proof	STKM12 equivalent
		Water-proof	SUS304TKA
	Shaft shape		Hexagon shaped shaft (Standard) D shaped shaft
Motor cable length		150mm	
Speed	Nominal speed		17 m/min / 60 m/min
Power supply	Voltage		24V DC ± 10%
Operating environment	Ambient temperature		0 to 40°C (no freezing)
	Ambient humidity		90%RH or less (no condensation)
	Location		Indoor
	Atmosphere		No corrosive gas
	Vibration		0.5 G or less
	Degree of protection	Standard	IP53
		Drip-proof	IP55
		Water-proof	IP65
Gradient ratio of MDR installation		0.5% or less	
Pollution Degree (Standard)		2 (IEC60664-1)	

* Since the dedicated driver card CBL-402F2 has the degree of protection of IP20, do not install in places subject to water.
(Refer to the CBL-402F2 User Manual)

Product weight		Size	Weight	Static load	Thrust load
		PM380LS	200	1.0kg	50kg
300	1.1kg		45kg		
400	1.2kg		40kg		
500	1.3kg		35kg		
600	1.4kg		30kg		
PM427LS	200	1.3kg	75kg		
	300	1.4kg	65kg		
	400	1.5kg	55kg		
	500	1.6kg	45kg		
	600	1.7kg	35kg		
	700	1.8kg	30kg		
		800	1.9kg	25kg	

Technology for tomorrow



ITOH DENKI CO.,LTD.

Global Headquarters:

■ ITOH DENKI CO., LTD. (Headquarters)

1146-2, Asazuma-Cho, Kasai, Hyogo 679-0105
Phone: +81 (0)790 47 0955 Fax: +81 (0)790 47 1325
www.itohdenki.co.jp

■ ITOH DENKI ASIA LIMITED

Phone: +852 2427 2576 Fax: +852 2427 2203

Europe, Middle East, Africa:

■ ITOH DENKI EUROPE SAS

Phone: +33 (0)4 50 03 09 99 Fax: +33 (0)4 50 03 07 60
www.itoh-denki.com

North & South America:

■ ITOH DENKI USA, INC

Phone: +1 570 820 8811 Fax: +1 570 820 8838
www.itohdenki.com

China:

■ ITOH DENKI SHANGHAI CO., LTD.

Phone: +86 21 6341 0181 Fax: +86 21 6341 0180
www.itohdenki.com.cn

<https://www.itohdenki.co.jp>

Specifications or appearance of product are subject to change without prior notice.

Ver.3.0